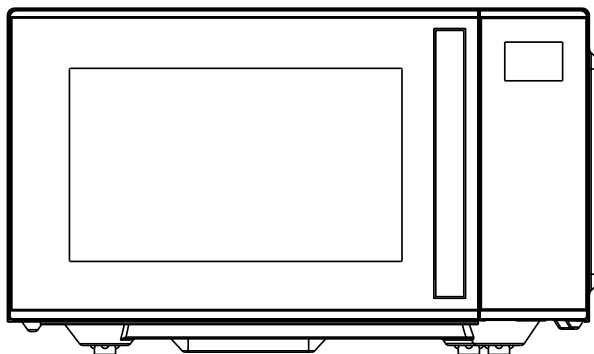




25 L Digital Microwave Oven User Manual

Model Number: H25MWB



**IMPORTANT SAFETY INSTRUCTIONS
READ CAREFULLY AND KEEP FOR FUTURE REFERENCE**

IMPORTANT SAFEGUARDS

When using any electrically powered product, basic safety precautions should always be followed, including the following:

PLEASE READ ALL INSTRUCTIONS CAREFULLY BEFORE USING THIS PRODUCT

WARNING! - to reduce the risk of fire, electrical shock or injury to persons or property:

When using electrical appliance basic safety precautions should be followed, including the following:

WARNING! --To reduce the risk of burns, electric shock, fire, injury to persons or exposure to excessive microwave energy:

1. Use this appliance only for its intended use as described in the manual. Do not use corrosive chemicals or vapors in this appliance. This type of oven is specifically designed to heat, cook, or dry food. It is not designed for industrial or laboratory use.
2. Do not operate the oven when it is empty.
3. Do not operate this appliance if it has a damaged cord or plug, if it is not working properly, or if it has been damaged or dropped. If the supply cord is damaged, it must be replaced by the manufacturer or its service agent or a similarly qualified person to avoid a hazard.
4. **WARNING!** –Do not allow children to use the oven without supervision when adequate instructions have been given so that the child is able to use the oven in a safe way and understands the hazards of improper use.
5. To reduce the risk of fire in the oven cavity:
 - When heating food in plastic or paper container, keep an eye on the oven due to the possibility of ignition.
 - Remove wire twist-ties from paper or plastic bags before placing bag in oven.
 - If smoke is observed, switch off or unplug the appliance and keep the door closed to stifle any flames.
 - Do not use the cavity for storage purposes. Do not leave paper products, cooking utensils, or food in the cavity when not in use.
 - The microwave oven is intended for heating food and beverages. Drying of food or clothing and heating of warming pads, slippers, sponges, damp cloth and similar may lead to risk of injury, ignition, or fire.
6. **WARNING!** --Liquid or other food must not be heated in sealed containers since they are liable to explode.
7. Microwave heating of beverages can result in delayed eruptive boiling; therefore, care must be taken when handling the container.
8. Do not fry food in the oven. Hot oil can damage oven parts and utensils and even result in skin burns.

9. Eggs in their shell and whole hard-boiled eggs should not be heated in microwave ovens since they may explode even after microwave heating has ended.
10. Pierce foods with heavy skin such as potatoes, whole squashes, apples, and chestnuts before cooking.
11. The contents of feeding bottles and baby food jars should be stirred or shaken and the temperature should be checked before serving to avoid burns.
12. Cooking utensils may become hot because of heat transferred from the heated food. Potholders may be needed to handle the utensil.
13. Utensils should be checked to ensure that they are suitable for use in microwave oven.
14. **WARNING!** --It is hazardous for anyone other than a trained person to carry out any service or repair operation which involves the removal of any cover which gives protection against exposure to microwave energy.
15. This product is Group 2 Class B ISM equipment. The definition of Group 2 which contains all ISM (Industrial, Scientific, and Medical) equipment in which radio-frequency energy is intentionally generated and/or used in the form of electromagnetic radiation for the treatment of material, and spark erosion equipment. For Class B equipment is equipment suitable for use in domestic establishments and in establishments directly connected to a low voltage power supply network which supplies buildings used for domestic purpose.
16. This appliance is not intended for use by persons (including children) with reduced physical, sensory, or mental capabilities, or lack of experience and knowledge, unless they have been given supervision or instruction concerning use of the appliance by a person responsible for their safety.
17. Children should be supervised to ensure that they do not play with the appliance.
18. The microwave oven is only used in freestanding.
19. **WARNING!** --Do not install oven over a range cook top or another heat-producing appliance. If installed could be damaged and the warranty would be avoid.
20. The microwave oven must not be placed in the cabinet.
21. **WARNING!** --The appliance and its accessible parts become hot during use.
22. **WARNING!** --Accessible parts may become hot during use. Young children should be kept away.
23. During use the appliances become hot. Care should be taken to avoid touching heating elements inside the oven, for cooking ranges and ovens.
24. The temperature of accessible surfaces may be high when the appliance is operating.
25. The appliance shall be placed against a wall.

26. Appliance is not to be used by children or persons with reduced physical, sensory, or mental capabilities, or lack of experience and knowledge, unless they have been given supervision or instruction.
27. **WARNING!** --If the door or door seals are damaged, the oven must not be operated until it has been repaired by a competent person.
28. The appliances are not intended to be operated by means of an external timer or separate remote-control system.
29. The microwave oven is for household use only and not for commercial use.
30. Never remove the distance holder in the back or on the sides, as it ensures a minimum distance from the wall for air circulation.
31. Please secure the turntable before you move the appliance to avoid damage.
32. **CAUTION!** --It is dangerous to repair or maintain the appliance by no other than a specialist because under these circumstances the cover must be removed which assures protection against microwave radiation. This applies to changing the power cord or the lighting as well. Send the appliance in these cases to our service Centre.
33. The microwave oven is intended for defrosting, cooking, and steaming food only.
34. Use gloves if you remove any heated food.
35. Caution! Steam will escape, when opening lids or wrapping foil.
36. This appliance can be used by children aged from 8 years and above and persons with reduced physical, sensory, or mental capabilities or lack of experience and knowledge if they have been given supervision or instruction concerning use of the appliance in a safe way and understand the hazards involved. Children shall not play with the appliance. Cleaning and user maintenance shall not be done by children unless they are aged from 8 years and above and supervised.
37. If smoke is emitted, switch off or unplug the appliance and keep the door closed to stifle any flames.

INSTALLATION GUIDE

1. Make sure that all the packing materials are removed from the inside of the door.
2. **WARNING:** Check the oven for any damage, such as misaligned or bent door, damaged door seals and sealing surface, broken or loose door hinges and latches and dents inside the cavity or on the door. If there is any damage, do not operate the oven and contact qualified service personnel.
3. This microwave oven must be placed on a flat, stable surface to hold its weight and the heaviest food likely to be cooked in the oven.

4. Do not place the oven where heat, moisture, or high humidity are generated, or near combustible materials.
5. For correct operation, the oven must have sufficient airflow. Allow 20cm of space above the oven, 10cm at back and 5cm at both sides. Do not cover or block any openings on the appliance. Do not remove your feet.
6. Do not operate the oven without glass tray, roller support, and shaft in their proper positions.
7. Make sure that the power supply cord is undamaged and does not run under the oven or over any hot or sharp surface.
8. The socket must be readily accessible so that it can be easily unplugged in an emergency.
9. Do not use the oven outdoors.

MICROWAVE COOKING PRINCIPLES

1. Arrange food carefully. Place thickest areas towards outside of dish.
2. Watch cooking time. Cook for the shortest amount of time indicated and add more as needed. Food severely overcooked can smoke or ignite.
3. Cover food while cooking. Covers prevent spattering and help foods to cook evenly.
4. Turn foods over once during microwave cooking to speed cooking of such foods as chicken and hamburgers. Large items like roasts must be turned over at least once.
5. Rearrange foods such as meatballs halfway through cooking both from top to bottom and from the center of the dish to the outside.

GROUNDING INSTRUCTIONS

This appliance must be grounded. This oven is equipped with a cord having a grounding wire with a grounding plug. It must be plugged into a wall receptacle that is properly installed and grounded. In the event of an electrical short circuit, grounding reduces the risk of electric shock by providing an escape wire for the electric current. It is recommended that a separate circuit serving only the oven be provided. Using a high voltage is dangerous and may result in a fire or other accident-causing oven damage.

WARNING Improper use of the grounding plug can result in a risk of electric shock.

Note:

1. If you have any questions about the grounding or electrical instructions, consult a

qualified electrician or service person.

2. Neither the manufacturer nor the dealer can accept any liability for damage to the oven or personal injury resulting from failure to observe the electrical connection procedures.

The wires in this cable main are colored in accordance with the following code:

Green and Yellow = EARTH

Blue = NEUTRAL

Brown = LIVE

BEFORE YOU CALL FOR SERVICE

If the oven fails to operate:

1. Check to ensure that the oven is plugged in securely. If it is not, remove the plug from the outlet, wait 10 seconds, and plug it in again securely.
2. Check for a blown circuit fuse or a tripped main circuit breaker. If these seem to be operating properly, test the outlet with another appliance.
3. Check to ensure that the control panel is programmed correctly, and the timer is set.
4. Check to ensure that the door is securely closed engaging the door safety lock system. Otherwise, the microwave energy will not flow into the oven.

IF NONE OF THE ABOVE RECTIFIES THE SITUATION, THEN CONTACT A QUALIFIED TECHNICIAN. DO NOT TRY TO ADJUST OR REPAIR THE OVEN YOURSELF. PRECAUTIONS TO AVOID POSSIBLE EXPOSURE TO EXCESSIVE MICROWAVE ENERGY

1. Do not attempt to operate this oven with the door open since open door operation can result in harmful exposure to microwave energy. It is important not to defeat or tamper with the safety interlocks.
2. Do not place any object between the oven front face and the door or allow soil or cleaner residue to accumulate on sealing surfaces.
3. Do not operate the oven if it is damaged. It is particularly important that the oven door close properly and that there is no damage to the
 - a. Door (bent),
 - b. Hinges and latches (broken or loosened),
 - c. Door seals and sealing surfaces.
4. The oven should not be adjusted or repaired by anyone except properly qualified service personnel.

COOKING UTENSILS GUIDE

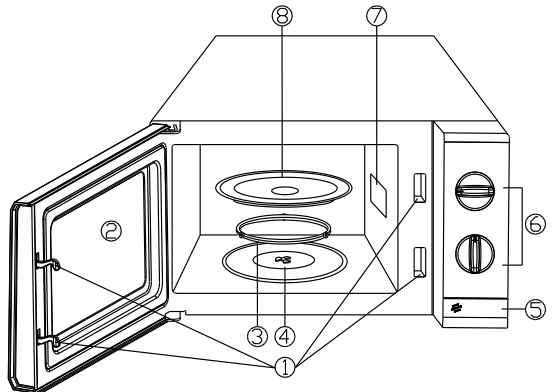
1. Microwave cannot penetrate metal. Only use utensils that are suitable for use in microwave ovens. Metallic containers for food and beverages are not allowed during microwave cooking. This requirement is not applicable if the manufacturer specifies the size and shape of metallic containers suitable for microwave cooking.
2. Microwave cannot penetrate metal, so metal utensils or dishes with metallic trim should not be used.
3. Do not use recycled paper products when microwave cooking, as they may contain small metal fragments which may cause sparks and/or fires.
4. Round /oval dishes rather than square/oblong ones are recommended, as food in corners tends to be overcooked.
5. Narrow strips of aluminum foil may be used to prevent overcooking of exposed areas. But be careful don't use too much and keep 1 inch (2.54cm) between foil and cavity.

The list below is a general guide to help you select the correct utensils.

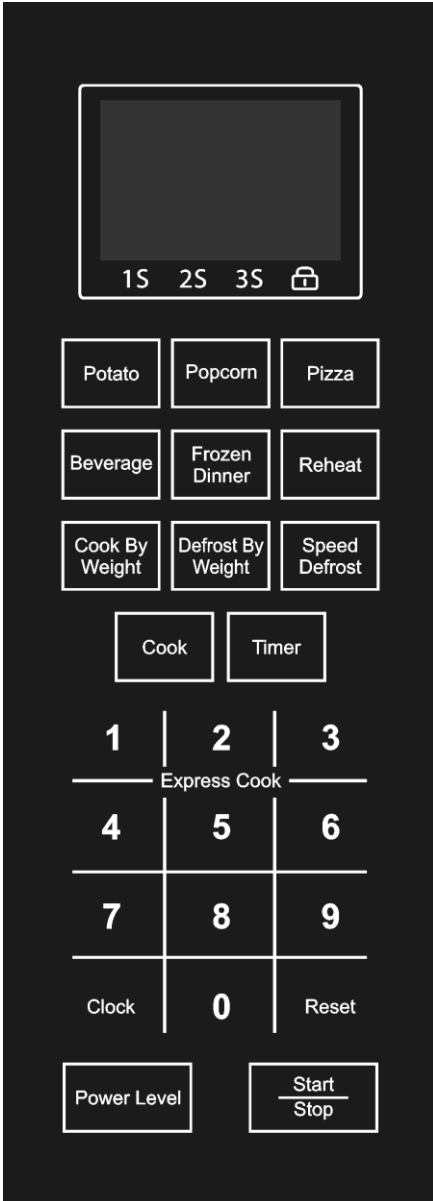
COOKWARE	MICROWAVE
Heat-Resistant Glass	Yes
Non Heat-Resistant Glass	No
Heat-Resistant Ceramics	Yes
Microwave-Safe Plastic Dish	Yes
Kitchen Paper	Yes
Metal Tray	No
Metal Rack	No
Aluminum Foil & Foil Containers	No

PART NAMES

1. Door Safety Lock System
 2. Oven Window
 3. Roller Ring
 4. Shaft
 5. Door Release Button
 6. Control Panel
 7. Wave Guide
- (Please do not remove the mica plate covering the wave guide)
8. Glass Tray



CONTROL PANEL



● MENU ACTION SCREEN

Time, power and indicators are displayed.

● AUTO COOK MENUS

Instant settings to cook popular foods.

● COOK BY WEIGHT

Press to cook food based on weight.

● DEFROST BY WEIGHT

Press to defrost food based on weight.

● SPEED DEFROST

Press to defrost food base on time.

● COOK

Use to set multistage cooking program.

● TIMER

Press to set timer function.

● NUMBER BUTTONS (0-9)

Press to set time and food weight.

But use the number buttons from 1 to 6 to set express cooking program.

● CLOCK

Press to set clock time.

● RESET

Press to cancel the cooking program.

It is also used to set child lock.

● POWER LEVEL

Press to select microwave cooking power level.

● START/STOP

Press to start and stop cooking programs.

OPERATION INSTRUCTIONS

- When the oven is plugged in, the display will show "1:01", " " .
- In the process of setting, the system will return to standby mode if there is not any operation within 10 seconds.
- During cooking, if press the START/STOP button once, the program will be paused, and then press START/STOP button to resume. During cooking, if press the RESET button once, the program will be cancelled.
- After cooking ends, the display will show End and beep will sound every two minutes until user press RESET button or open the door.
- When you press the START/STOP button and the microwave oven door is opened, the display shows "door" for 3 seconds to remind user to close the oven door.

SETTING THE CLOCK

This is a 24- or 12- hour clock. You can choose to set the clock time in 24- or 12- hour cycle by pressing CLOCK button in standby mode.

1. In standby mode, press the CLOCK button repeatedly to choose 24- or 12- hour clock.
2. Use number buttons to set correct time.
3. Press the CLOCK button to confirm.

NOTE: During cooking, you can check the clock time by pressing CLOCK button.

SETTING TIMER

1. In standby mode or during cooking, press the TIMER button once.
2. Use number buttons to set desired time. The longest time is 99 minutes and 99 seconds.
3. Press the TIMER button to confirm.

NOTE: When the countdown ends, the buzzer will beep to remind you. You can check the countdown time by pressing the TIMER button, if press and hold the TIMER button for 3 seconds when the display shows the time, the function can be cancelled.

EXPRESS COOKING

Directly in standby mode, when you press a number button (1, 2, 3, 4, 5 or 6) once, the system starts the cooking program directly with the corresponding time (respectively 1 minute, 2 minutes, 3 minutes, 4 minutes, 5 minutes, and 6 minutes). The microwave oven will start to cook at full power level.

MICROWAVE COOKING

1. In standby mode, press the POWER LEVEL button repeatedly to select power level.
2. Use number buttons to set cooking time. The longest time is 99 minutes and 99 seconds.
3. Press START/STOP button to confirm.

Press POWER LEVEL button to select power level:

Press POWER LEVEL	Power (Display)	Press POWER LEVEL	Power (Display)
Once	100% (P100)	7 times	40% (P-40)
Twice	90% (P-90)	8 times	30% (P-30)
3 times	80% (P-80)	9 times	20% (P-20)
4 times	70% (P-70)	10 times	10% (P-10)
5 times	60% (P-60)	11 times	0% (P-00)
6 times	50% (P-50)		

NOTE: During cooking, you can check the current cooking power level by pressing the POWER LEVEL button, then you can adjust the power level by pressing the number buttons.

SPEED DEFROST

1. In standby mode, press the SPEED DEFROST button once.
2. Use number buttons to set defrosting time. The longest time is 99 minutes and 99 seconds.
3. Press START/STOP button to confirm.

NOTE:

- During defrosting, the system will pause and sound to remind user to turn food over, after that, close the oven door and press START/STOP button to resume.
- During defrosting, the display will show the power level for 10 seconds by pressing POWER LEVEL button, then you can adjust the power level by pressing number buttons.

COOK BY WEIGHT

The cooking time and power level are adjusted automatically once the food category, and the weight are programmed.

1. In standby mode, press COOK BY WEIGHT button once.
2. Use number buttons (1~3) to select food type.
3. Use number buttons to set food weight.

4. Press START/STOP button to confirm.

Cook by weight code description:

Code	Type	Maximum Weight
1	Beef	2700 g
2	Mutton	2700 g
3	Pork	2700 g

NOTE: During cooking, the system will pause and sound to remind user to turn food over, after that, close the oven door and press START/STOP button to resume.

DEFROST BY WEIGHT

The defrosting time and power level are adjusted automatically once the food weight is programmed. The maximum frozen food weight is 2700 g.

1. In standby mode, press DEFROST BY WEIGHT button once.
2. Use number buttons to set food weight.
3. Press START/STOP button to confirm.

NOTE: During defrosting, the system will pause and sound to remind user to turn food over, after that, close the oven door and press START/STOP button to resume.

MULTISTAGE COOKING

Your oven can be programmed for up to 3 automatic cooking sequences.

Suppose you want to set the following cooking program:

Microwave cooking.



Microwave cooking (with lower power level)

1. Input the first microwave cooking program. Do not press the START/STOP button.
2. Press the COOK button once.
3. Input the second microwave cooking program.
4. Press the START/STOP button to start.

NOTE: Only microwave program can be set in multistage cooking program.

CHILD LOCK

The lock prevents unsupervised operation by children.

To set: In standby mode, press and hold RESET button for 3 seconds, a beep will sound, and lock indication appears on the display, the oven will auto enter child lock mode.

To cancel: Press and hold RESET button for 3 seconds, a beep will sound, and a lock

indication will come off.

AUTO COOK

For the following food or cooking mode, it is not necessary to program the cooking time and power. It is sufficient to indicate the type of food that you want to cook as well as the weight or servings of this food.

In standby mode, press the corresponding menu button repeatedly to select food weight or servings. The oven will start automatically working 10 seconds later. After setting, you can press the corresponding menu button to re-set the weight or servings within 10 seconds.

Auto cook menus:

Food	Note
Potato (200~300 g/Pot, 1-4 Pot)	1. For potatoes, during cooking, you need to turn the food over. 2. The result of auto cooking depends on factors such as the shape and size of food, your personal preference as to the doneness of certain foods and even how well you happen to place food in the oven. If you find the result at any rate not quite satisfactory, please adjust the cooking time a little bit accordingly.
Popcorn (100 g)	
Pizza (100~150 g/Pc, 1-2 Pc)	
Beverage (100 ~ 400 g)	
Frozen Dinner (200~250 g/serving, 1-2 servings)	
Reheat (300-400 g)	

CLEANING AND CARE

1. Turn off the oven and remove the power plug from the wall socket before cleaning.
2. Keep the inside of the oven clean. When food splatters or spilled liquids adhere to oven walls, wipe with a damp cloth. Mild detergent may be used if the oven gets very dirty. Avoid the use of spray and other harsh cleaners as they may stain, streak or dull the door surface.
3. The outside surfaces should be cleaned with a damp cloth. To prevent damage to the operating parts inside the oven, water should not be allowed to seep into the ventilation openings.
4. Wipe the door and window on both sides, the door seals and adjacent parts frequently with a damp cloth to remove any spills or splatters. Do not use abrasive cleaner.

5. A steam cleaner is not used.
6. Do not allow the control panel to become wet. Clean with a soft, damp cloth. When cleaning the control panel, leave oven door open to prevent oven from accidentally turning on.
7. If steam accumulates inside or around the outside of the oven door, wipe with a soft cloth. This may occur when the microwave oven is operated under high humidity conditions. And it is normal.
8. It is occasionally necessary to remove the glass tray for cleaning. Wash the tray in warm sudsy water or in a dishwasher.
9. The roller ring and oven floor should be cleaned regularly to avoid excessive noise. Simply wipe the bottom surface of the oven with mild detergent. The roller ring may be washed in mild sudsy water or dishwasher. When removing the roller ring from the cavity floor for cleaning, be sure to replace it in the proper position.
10. Remove odors from your oven by combining a cup of water with the juice and skin of one lemon in a deep microwaveable bowl, microwave for 5 minutes. Wipe thoroughly and dry with a soft cloth.
11. When it becomes necessary to replace the oven light, please consult a dealer to have it replaced.
12. The oven should be cleaned regularly, and any food deposits removed. Failure to maintain the oven in a clean condition could lead to deterioration of the surface that could adversely affect the life of the appliance and possibly result in a hazardous.

Please do not dispose of this appliance into the domestic rubbish bin; it should be disposed of at the particular disposal center provided by the municipalities.

SPECIFICATIONS

Power Consumption	230-240V/50Hz, 1400W(microwave)
Output	900W
Operation Frequency	2450MHz
Outside Dimensions	281mm(H)×483mm(W)×417mm(D)
Oven Cavity Dimensions	217mm(H)×340mm(W)×363mm(D)
Oven Capacity	Compact 25Litres
Net Weight	Approx.13.4kg

CUSTOMER SERVICE

Australian Customer Service

GAF Control (Sales) Pty Ltd & Maxim Housewares

P.O Box 19

Altona North Victoria 3025

Phone: 1300 659 489

Hours: 9am-5pm (EST) Mon-Fri

www.gafcontrol.com.au

*This product may vary slightly to the product illustrated due to ongoing product development.