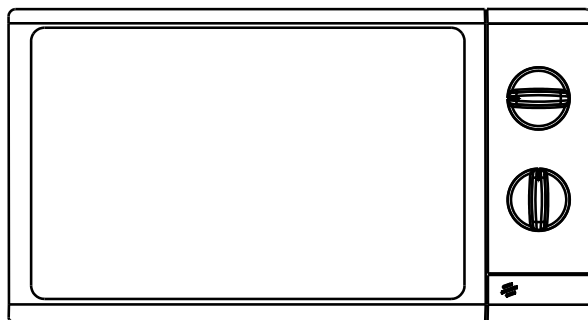


# MAXIM<sup>®</sup>

## kitchenpro

### 20L Manual Microwave User Manual

Model Number: M20MW



**IMPORTANT SAFETY INSTRUCTIONS  
READ CAREFULLY AND KEEP FOR FUTURE REFERENCE**

## IMPORTANT SAFEGUARDS

**When using any electrically powered product, basic safety precautions should always be followed, including the following:**

PLEASE READ ALL INSTRUCTIONS CAREFULLY BEFORE USING THIS PRODUCT

WARNING! - to reduce the risk of fire, electrical shock or injury to persons or property:

When using electrical appliances basic safety precautions should be followed, including the following:

**WARNING!** --To reduce the risk of burns, electric shock, fire, injury to persons or exposure to excessive microwave energy:

1. Use this appliance only for its intended use as described in the manual. Do not use corrosive chemicals or vapors in this appliance. This type of oven is specifically designed to heat, cook, or dry food. It is not designed for industrial or laboratory use.
2. Do not operate the oven when it is empty.
3. Do not operate this appliance if it has a damaged cord or plug, if it is not working properly, or if it has been damaged or dropped. If the supply cord is damaged, it must be replaced qualified person to avoid a hazard.
4. **WARNING!** --Do not allow children to use the oven without supervision.
5. To reduce the risk of fire in the oven cavity:
  - When heating food in plastic or paper container, keep an eye on the oven due to the possibility of ignition.
  - Remove wire twist-ties from paper or plastic bags before placing bag in oven.
  - If smoke is observed, switch off or unplug the appliance and keep the door closed to stifle any flames.
  - Do not use the cavity for storage purposes. Do not leave paper products, cooking utensils, or food in the cavity when not in use.
  - The microwave oven is intended for heating food and beverages. Drying of food or clothing and heating of warming pads, slippers, sponges, damp cloths and similar may lead to risk of injury, ignition, or fire.
6. **WARNING!** --Liquid or other food must not be heated in sealed containers since they are liable to explode.
7. Microwave heating of beverages can result in delayed eruptive boiling; therefore, care must be taken when handling the container.
8. Do not fry food in the oven. Hot oil can damage oven parts and utensils and even result in skin burns.
9. Eggs in their shell and whole hard-boiled eggs should not be heated in microwave

- ovens since they may explode even after microwave heating has ended.
10. Pierce foods with heavy skin such as potatoes, whole squashes, apples, and chestnuts before cooking.
  11. The contents of feeding bottles and baby food jars should be stirred or shaken and the temperature should be checked before serving to avoid burns.
  12. Cooking utensils may become hot because of heat transferred from the heated food. Potholders may be needed to handle the utensil.
  13. Utensils should be checked to ensure that they are suitable for use in microwave oven.
  14. **WARNING!** --It is hazardous for anyone other than a trained person to carry out any service or repair operation which involves the removal of any cover which gives protection against exposure to microwave energy.
  15. This product is Group 2 Class B ISM equipment. The definition of Group 2 which contains all ISM (Industrial, Scientific, and Medical) equipment in which radio-frequency energy is intentionally generated and/or used in the form of electromagnetic radiation for the treatment of material, and spark erosion equipment. For Class B equipment is equipment suitable for use in domestic establishments and in establishments directly connected to a low voltage power supply network which supplies buildings used for domestic purpose.
  16. This appliance is not intended for use by persons (including children) with reduced physical, sensory, or mental capabilities, or lack of experience and knowledge, unless supervised.
  17. Children should be supervised to ensure that they do not play with the appliance.
  18. The microwave oven is only used in an upright, freestanding position.
  19. **WARNING!** --Do not install oven over a range cook top or another heat-producing appliance. If installed could be damaged and the warranty would be avoided.
  20. The microwave oven shall not be placed in a cabinet.
  21. **WARNING!** --The appliance and its accessible parts become hot during use.
  22. Appliance is not to be used by children or persons with reduced physical, sensory, or mental capabilities, or lack of experience and knowledge, unless supervised.
  23. **WARNING!** --If the door or door seals are damaged, Do not operate until it has been repaired by a competent person.
  24. The microwave oven is for household use only and not for commercial use.
  25. Please secure the turntable before you move the appliance to avoid damage.
  26. **CAUTION!** --It is dangerous to repair or maintain the appliance, including changing the power cord or the light unless by a qualified specialist. Refer these cases to a qualified appliance specialist.
  27. The microwave oven is intended for defrosting, cooking, and steaming food only.

28. Caution! Steam will escape, when opening lids or plastic wrapping.
29. This appliance can be used by children aged from 8 years and above and persons with reduced physical, sensory, or mental capabilities or lack of experience and knowledge if they have been given supervision or instruction concerning use of the appliance in a safe way and understand the hazards involved.
30. If smoke is emitted, switch off or unplug the appliance and keep the door closed to stifle any flames.

## INSTALLATION GUIDE

1. Make sure that all the packing materials are removed from the inside of the door.
2. **WARNING:** Check the oven for any damage, such as misaligned or bent door, damaged door seals and ceiling surface, broken or loose door hinges and latches and dents inside the cavity or on the door. If there is any damage, do not operate the oven and contact a qualified service technician.
- ~~3.~~ The microwave oven must be placed on a flat, stable surface.
4. Do not place the microwave oven near heat, moisture, or where high humidity is generated, or near combustible materials.
5. For correct operation, the oven must have sufficient airflow. Allow 20cm of space above the oven, 10cm at back and 5cm at both sides. Do not cover or block any openings on the appliance. Do not remove the feet.
6. Do not operate the oven without glass tray, roller support, and shaft in their proper positions.
7. Make sure that the power supply cord is undamaged and does not run under the oven or over any hot or sharp surface.
8. The socket must be readily accessible so that it can be easily unplugged in an emergency.
9. Do not use the oven outdoors.

## MICROWAVE COOKING PRINCIPLES

1. more time as needed. Overcooked food can smoke or ignite.
2. Cover food while cooking. Covers prevent spattering and help foods to cook evenly.
3. Turn foods over once during microwave cooking to speed cooking of chicken and hamburgers. Large items like roasts must be turned over at least once.
4. Rearrange foods such as meatballs halfway through cooking both from top to bottom and from the center of the dish to the outside.

## GROUNDING INSTRUCTIONS

This appliance must be grounded. This oven is equipped with a cord having a grounding wire with a grounding plug. It must be plugged into a wall receptacle that is properly installed and grounded. In the event of an electrical short circuit, grounding reduces the risk of electric shock by providing an escape wire for the electric current.

**WARNING** Improper use of the grounding plug can result in a risk of electric shock.

**Note:**

1. If you have any questions about the grounding or electrical instructions, consult a qualified electrician or service person.
2. Neither the manufacturer nor the dealer can accept any liability for damage to the oven or personal injury resulting from failure to observe the electrical connection procedures.

The wires in this cable main are colored in accordance with the following code:

**Green and Yellow = EARTH**

**Blue = NEUTRAL**

**Brown = LIVE**

## BEFORE YOU CALL FOR SERVICE

If the oven fails to operate:

1. Check to ensure that the oven is plugged in securely. If it is not, remove the plug from the outlet, wait 10 seconds, and plug it in again securely.
2. Check for a blown circuit fuse or a tripped main circuit breaker. If these seem to be operating properly, test the outlet with another appliance.
3. Check to ensure that the control panel is programmed correctly, and the timer is set.
4. Check to ensure that the door is securely closed, engaging the door safety lock system. Otherwise, the microwave energy will not flow into the oven.

IF NONE OF THE ABOVE RECTIFIES THE SITUATION, THEN CONTACT A QUALIFIED TECHNICIAN. DO NOT TRY TO ADJUST OR REPAIR THE OVEN YOURSELF.

## PRECAUTIONS TO AVOID POSSIBLE EXPOSURE TO EXCESSIVE

### MICROWAVE ENERGY

1. Do not attempt to operate this oven with the door open since open door operation can result in harmful exposure to microwave energy. It is important not to ~~defeat or~~ tamper with the safety interlocks.
2. Do not place any object between the oven's front face and the door or allow soil or cleaner residue to accumulate on ceiling surfaces.
3. Do not operate the oven if it is damaged. It is particularly important that the oven door close properly and that there is no damage to the
  - a. Door (bent),
  - b. Hinges and latches (broken or loosened),
  - c. Door seals and seal surfaces.
4. The oven should not be adjusted or repaired by anyone except properly qualified service personnel.

### COOKING UTENSILS GUIDE

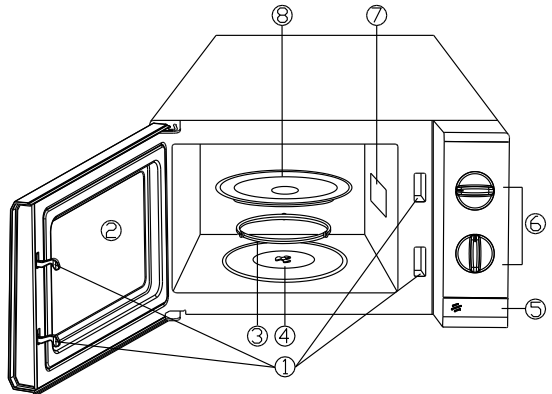
1. Microwave cannot penetrate metal. Only use utensils that are suitable for use in microwave ovens. Metallic containers for food and beverages are not allowed during microwave cooking.
2. Do not use recycled paper products when microwave cooking, as they may contain small metal fragments which may cause sparks and/or fires.
4. Round /oval dishes rather than square/oblong ones are recommended, as food in corners tends to overcook.
5. Narrow strips of aluminum foil may be used to prevent overcooking of exposed areas. But be careful don't use too much and keep 1 inch (2.54cm) between foil and cavity.

The list below is a general guide to help you select the correct utensils.

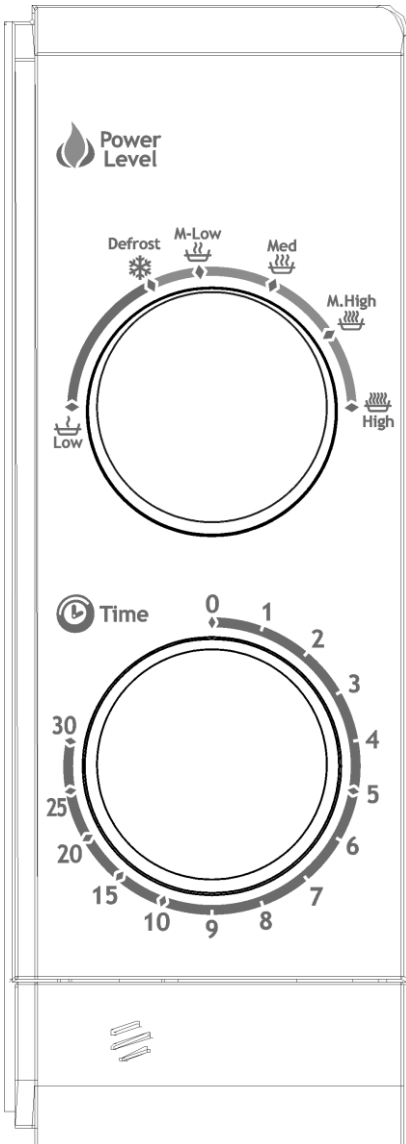
COOKWARE	MICROWAVE
Heat-Resistant Glass	Yes
Non Heat-Resistant Glass	No
Heat-Resistant Ceramics	Yes
Microwave-Safe Plastic Dish	Yes
Kitchen Paper	Yes
Metal Tray	No
Metal Rack	No
Aluminum Foil & Foil Containers	No

## PART NAMES

1. Door Safety Lock System
2. Oven Window
3. Roller Ring
4. Shaft
5. Door Release Button
6. Control Panel
7. Wave Guide
8. Glass Tray  
(Please do not remove the mica plate covering the wave guide)



## CONTROL PANEL



The control panel consists of two function operators. One is a timer knob, and another a power knob.

### POWER/ACTION SELECTOR

You use this operator knob to choose a cooking power level. It is the first step to start a cooking session.

### TIMER KNOB

Offer visual timing settings at easy turn of your thumb to select a desired cooking time up to 30 minutes per cooking session.

### MICROWAVE COOKING

For pure microwave cooking, there are six power levels from which to choose one as best fit to do the job at hand.

Power level increases with the knob turning clockwise. The power levels can be classified as the following:

	Power Output	Description
1	100%	HIGH
2	88%	M.HIGH
3	73%	MED
4	52%	M.LOW
5	42%	DEFROST
6	20%	LOW



## OPERATION

To start a cooking session,

1. Place food in oven and close the door.
2. Turn Power Selector to select a power level.
3. Use the Timer knob to set a cooking time.

### **NOTE:**

As soon as the timer is turned, the oven starts cooking.

**CAUTION:** ALWAYS RETURN TIMER BACK TO ZERO POSITION if food is removed from oven before the set cooking time is complete or when oven is not in use. To stop the oven during the cooking process, push the door release button or open the door with the handle.

## CLEANING AND CARE

1. Turn off the oven and remove the power plug from the wall socket before cleaning.
2. Keep the inside of the oven clean. When food splatters or spilled liquids adhere to oven walls, wipe with a damp cloth. Mild detergent may be used if the oven gets very dirty. Avoid the use of spray and other harsh cleaners as they may stain, streak, or dull the door surface.
3. The outside surfaces should be cleaned with a damp cloth. To prevent damage to the operating parts inside the oven, water should not be allowed to seep into the ventilation openings.
4. Wipe the door and window on both sides, the door seals, and adjacent parts frequently with a damp cloth to remove any spills or spatters. Do not use abrasive cleaner.
5. A steam cleaner is not to be used.
6. Do not allow the control panel to become wet. Clean with a soft, damp cloth. When cleaning the control panel, leave oven door open to prevent oven from accidentally turning on.
7. If steam accumulates inside or around the outside of the oven door, wipe with a soft cloth. This may occur when the microwave oven is operated under high humidity conditions, which is normal.
8. It is occasionally necessary to remove the glass tray for cleaning. Wash the tray in warm sudsy water or in a dishwasher.
9. The roller ring and oven floor should be cleaned regularly to avoid excessive

noise. Simply wipe the bottom surface of the oven with mild detergent. The roller ring may be washed in mild sudsy water or dishwasher. When removing the roller ring from the cavity floor for cleaning, be sure to replace it in the proper position.

10. Remove odors from your oven by combining a cup of water with the juice and skin of one lemon in a deep microwaveable bowl, microwave for 5 minutes. Wipe thoroughly and dry with a soft cloth.
11. When it becomes necessary to replace the oven light, please consult a technician to have it replaced.
12. The oven should be cleaned regularly, and any food deposits removed. Failure to maintain the oven in a clean condition could lead to deterioration of the surface that could adversely affect the life of the appliance and possibly result in a hazard.
13. Please do not dispose of this appliance into the domestic rubbish bin; it should be disposed of at a disposal center provided by your local municipality.

## SPECIFICATIONS

Power Consumption:	230-240V/50Hz, 1200W (Microwave)
Rated microwave power output:	700W
Operation Frequency:	2450MHz
Outside Dimensions:	262mm(H)×452mm(W)×328mm(D)
Oven Cavity Dimensions:	178mm(H)×315mm(W)×296mm(D)
Oven Capacity:	Compact 20Litres
Net Weight:	Approx.10.8kg

## CUSTOMER SERVICE

### Australian Customer Service

GAF Control (Sales) Pty Ltd & Maxim Housewares

P.O Box 19

Altona North Victoria 3025

Phone: 1300 659 489

Hours: 9am-5pm (EST) Mon-Fri

[www.gafcontrol.com.au](http://www.gafcontrol.com.au)

\*This product may vary slightly to the product illustrated due to ongoing product development.